

PARTS CATALOGUE

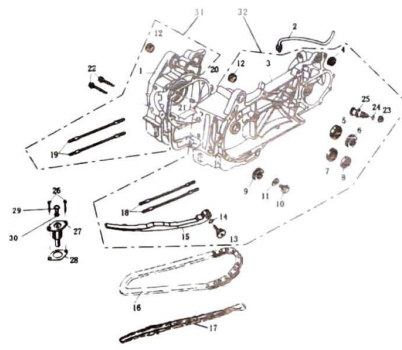
808
76



INDEX TO ENGINEER GROUP

T-1 曲轴箱总成.....1	T-11 主、从动皮带轮总成.....13
Crankcase assy	Main, driven pulley assembly
T-2 变速箱盖总成.....3	T-12 磁电机部件、机油泵部件.....15
Gearbox cover assembly	Magnetic motor parts,oil pump parts
T-3 左盖总成.....4	T-13 脚起动机机构总成.....16
Left cover assembly	Kick-start assembly
T-4 右箱体端盖总成.....5	T-14 导风罩分总成.....17
Right box cover assembly	Wind guide cover sub-assembly
T-5 气缸体总成.....6	T-15 后制动分总成.....18
Cylinder block assembly	Rear brake subassembly
T-6 气缸头总成.....7	T-16 动力系统组件.....19
Cylinder head assembly	Engine Assy
T-7 气缸头盖总成.....9	T-17 车架及铁件组件.....21
Cylinder head cover assembly	Frame Assy
T-8 气缸头盖总成（缸头补气）.....10	T-18 前悬挂组件.....22
Cylinder head cover assembly	Turnning Assy
T-9 曲轴连杆组件、活塞组件.....11	T-19 电器组件.....24
Crankshaft connecting rod assembly, piston assembly	Electric Device Assy
T-10 电起动部件.....12	T-20(2) 外观件组件.....25
Electric starter parts	Working Of Plastics Assy
	T-20(4) 外观件组件.....28
	Working Of Plastics Assy

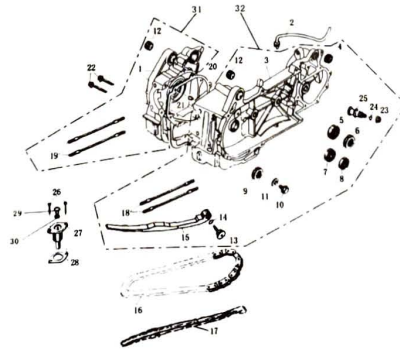
T-1 曲轴箱总成 Crankcase assy



N0.	CHINESE NAME	ENGLISH NAME	PART	QTY	REMARKS
1	右箱体	Crankcase ,RIGHT	157QMJ-001-000	1	
2	通气管组合	Breather pipe	152QMI-002-000	1	
3	左箱体本体总成 左箱体本体总成(短)	Left crankcase body assembly Left crankcase body assembly(short)	157QMJ-002-000 157QMJ-002-001	1 1	
4	后减震套	Rear shock absorb bushing	152QMI-004-000	2	
5	轴承6004-2RS	Bearing 6004-2RS	GB/T276-6004	1	
6	输出轴油封Φ27×Φ42×7	Oil seal,Output shaft Φ27×Φ42×7	152QMI-006-000	1	
7	轴承6301	Bearing 6301	GB/T276-6301	1	
8	轴承6002	Bearing 6002	GB/T276-6002	1	
9	曲轴油封Φ19.8×Φ30×5	Oil seal,crankcase Φ19.8×Φ30×5	152QMI-009-000	1	
10	放油螺栓M12×1.5×14	Oil drain plug M12×1.5×14	152QMI-010-000	1	
11	平垫 Φ12×Φ18×1	Wash Φ12×Φ18×1	152QMI-011-000	1	
12	前减震套	Front shock absorb bushing	152QMI-012-000	2	
13	固定拉力杆螺钉	Screw,tension rod	152QMI-013-000	1	
14	O形圈Φ16×1.5 O	Ring Φ16×1.5	152QMI-014-000	1	
15	拉力杆	Pull lever	152QMI-015-000	1	
16	正时链条	Timing chain	152QMI-016-000	1	
17	分气链条导件	Chain guide	152QMI-017-000	1	
18	双头螺栓M8×195.5	Stud M8×195.5	152QMI-018-000	2	
19	双头螺栓M8×187.5	Stud M8×187.5	152QMI-019-000	2	
20	右箱体垫	Gasket,right crankcase	152QMI-020-000	1	

- 1 -

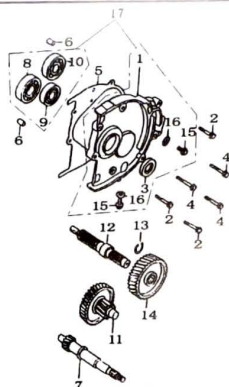
T-1 曲轴箱总成 Crankcase assy



N0.	CHINESE NAME	ENGLISH NAME	PART	QTY	REMARKS
21	定位套Φ8×14	Positioning sleeve Φ8×14	152QMI-021-000	2	
22	六角法兰面螺栓M6×50	Hex flange bolt M6×50	GB/T16674.1-M6×50-8.8	2	
23	螺母SM8	Screw SM8	152QMI-023-000	1	
24	O形圈Φ7.5×1.5	O ring Φ7.5×1.5	152QMI-024-000	1	
25	刹车销	Brake pin	157QMJ-003-000	1	
26	六角法兰面螺栓M6×22	Hex flange bolt M6×22	GB/T16674.1-M6×22-8.8	2	
27	压链器	Chain presser	152QMI-027-000	1	
28	压链器垫片	Washer,chain presser	152QMI-028-000	1	
29	扁头螺钉	Flat head screws	152QMI-028-010	1	
30	O形圈Φ9.5×1.5	O ring Φ9.5×1.5	152QMI-028-020	1	
31	右箱体总成	Right crankcase assy	157QMJ-001	1	
32	左箱体总成	Left crankcase assy	157QMJ-002	1	

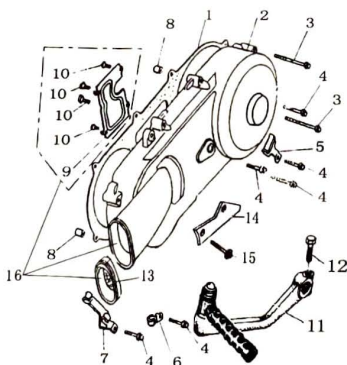
- 2 -

T-2 变速箱盖总成 Gearbox cover assembly



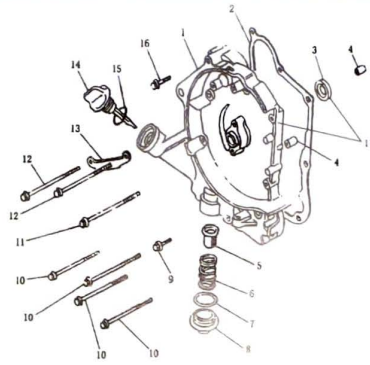
NO.	CHINESE NAME	ENGLISH NAME	PART	QTY	REMARKS
1	变速箱盖	Gearbox cover	152QMI-029-000	1	
2	六角法兰面螺栓M6×28	Hex flange bolt M6×28	GB/T16674.1-M6×28-8.8	3	
3	输入轴油封Φ20×Φ32×6	Oil seal,input shaft Φ20×Φ32×6	152QMI-031-000	1	
4	六角法兰面螺栓M6×35	Hex flange bolt M6×35	GB/T16674.1-M6×35-8.8	3	
5	变速箱盖垫片	Gasket,gearbox cover	152QMI-033-000	1	
6	定位套 Φ8×14	Positioning sleeve Φ8×14	152QMI-021-000	2	
7	变速箱输入轴	Input shaft,gearbox	152QMI-035-000	1	
8	轴承6204	Bearing 6204	GB/T276-6204	1	
9	轴承6202	Bearing 6202	GB/T276-6202	1	
10	轴承6203	Bearing 6203	GB/T276-6203	1	
11	中间齿轮轴组	Intermediate gear shaft set	152QMI-039-000	1	
12	变速箱输出轴	Gearbox output shaft	152QMI-040-000	1	
13	轴用挡圈20	Ring,shaft 20	152QMI-041-000	1	
14	输出齿轮	Output gear	152QMI-042-000	1	
15	六角法兰面螺栓M8×12	Hex flange bolt M8×12	GB/T16674.1-M8×12-8.8	2	
16	垫片	Wash	152QMI-044-000	2	
17	变速箱盖总成	Gearbox cover assembly	152QMI-029	1	

T-3 左盖总成 Left cover assembly



NO.	CHINESE NAME	ENGLISH NAME	PART	QTY	REMARKS
1	左盖垫	Gasket,Left cover	157QMJ-004-000	1	
2	左盖	Gasket,Left cover	152QMI-045-000	1	
3	左盖 (悍马)	Left cover	157QMJ-005-000	1	
4	左盖 (UM)	Left cover(Hummer)	157QMJ-005-001	1	
5	左盖	Left cover(UM)	157QMJ-005-002	1	
6	左盖	Left cover	152QMI-046-000	1	
7	六角法兰面螺栓M6×65	Hex flange bolt M6×65	GB/T16674.1-M6×65-8.8	2	
8	六角法兰面螺栓M6×40	Hex flange bolt M6×40	GB/T16674.1-M6×40-8.8	6	
9	刹车导线夹	Clamp,Brake wire	152QMI-049-000	1	
10	溢流管夹	Clip,overflow tube	152QMI-050-000	1	
11	油门拉筋固定架	Throttle reinforcement bracket	152QMI-051-000	1	
12	定位套 Φ8×14	Positioning sleeve Φ8×14	152QMI-021-000	2	
13	通气导板	Ventilation guides	152QMI-053-000	1	
14	十字槽盘头自攻螺钉ST4.2×8	Cross self-tapping screw	GB/T845-ST4.2×8	4	
15	起动杆总成	Starting lever assembly	152QMI-055-000	1	
16	六角法兰面螺栓M6×22	Hex flange bolt M6×22	GB/T16674.1-M6×22-8.8	1	
17	吸风管	Tube	152QMI-057-000	1	
18	固定架	Bracket	152QMI-058-000	1	
19	六角法兰面螺栓M6×12	Hex flange bolt M6×12	GB/T16674.1-M6×12-8.8	1	
20	左盖总成	Left cover assembly	157QMJ-005	1	

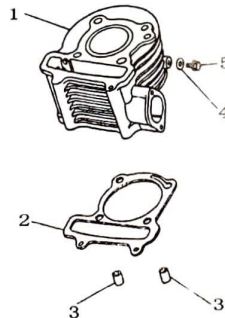
T-4 右箱体端盖总成 Right box cover assembly



N0.	CHINESE NAME	ENGLISH NAME	PART	QTY	REMARKS
1	右盖	Right cover	152QMI-060-000	1	
2	右盖垫	Gasket, right cover	152QMI-061-000	1	
3	曲轴油封 $\Phi 19.8 \times \Phi 30 \times 5$	Oil seal, Crankshaft $\Phi 19.8 \times \Phi 30 \times 5$	152QMI-009-000	1	
4	定位套 $\Phi 8 \times 14$	Positioning sleeve $\Phi 8 \times 14$	152QMI-021-000	2	
5	滤油网	Oil filter net	152QMI-064-000	1	
6	滤油网弹簧	Spring, oil filter net	152QMI-065-000	1	
7	O形圈 $\Phi 30.5 \times 3$	O ring $\Phi 30.5 \times 3$	152QMI-066-000	1	
8	滤油网螺帽	Nut, oil filter net	152QMI-067-000	1	
9	六角法兰面螺栓 $M6 \times 32$	Hex flange bolt $M6 \times 32$	GB/T16674.1-M6 $\times 32-8.8$	1	
10	六角法兰面螺栓 $M6 \times 90$	Hex flange bolt $M6 \times 90$	GB/T16674.1-M6 $\times 90-8.8$	4	
11	六角法兰面螺栓 $M6 \times 100$	Hex flange bolt $M6 \times 100$	GB/T16674.1-M6 $\times 100-8.8$	1	
12	六角法兰面螺栓 $M6 \times 110$	Hex flange bolt $M6 \times 110$	GB/T16674.1-M6 $\times 110-8.8$	2	
13	触发线卡	Line card	152QMI-072-000	1	
14	机油尺	Dipstick	152QMI-073-000	1	
15	O形圈 $\Phi 18 \times 3$	O ring $\Phi 18 \times 3$	152QMI-074-000	1	
16	六角法兰面螺栓 $M6 \times 35$	Hex flange bolt $M6 \times 35$	GB/T16674.1-M6 $\times 35-8.8$	1	
17	右盖总成	Right cover assembly	152QMI-060	1	

- 5 -

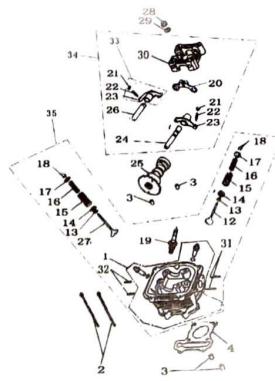
T-5 气缸体总成 Cylinder block assembly



N0.	CHINESE NAME	ENGLISH NAME	PART	QTY	REMARKS
1	气缸体	Cylinder block	157QMJ-006-000	1	
2	气缸垫	Gasket, Cylinder block	157QMJ-007-000	1	
3	定位套 $\Phi 10 \times 16$	Positioning sleeve $\Phi 10 \times 16$	152QMI-078-000	2	
4	垫片	Washer	152QMI-079-000	1	
5	六角法兰面螺栓 $M6 \times 12$	Hex flange bolt $M6 \times 12$	GB/T16674.1-M6 $\times 12-8.8$	1	

- 6 -

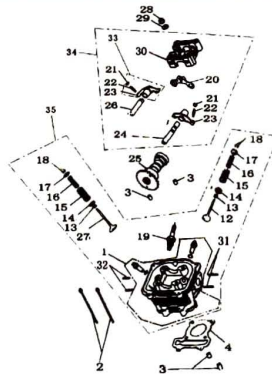
T-6 气缸头总成 Cylinder head assembly



NO.	CHINESE NAME	ENGLISH NAME	PART	QTY	REMARKS
1	气缸头组	Cylinder head group	157QMJ-008-000	1	
	气缸头组(缸头补气)	Cylinder head assembly (cylinder head intake)	157QMJ-008-001	1	
2	六角法兰面螺栓M6×100	Hex flange bolt M6×100	GB/T16674.1-M6×100-8.8	2	
3	定位套φ10×16	Positing sleeve φ10×16	152QMI-078-000	4	
4	气缸头垫片	Gasket,Cylinder head	157QMJ-009-000	1	
5	进气管夹	Clamp,Intake manifold	152QMI-085-000	1	
12	进气门	Intake valve	157QMJ-010-000	1	
13	气门油封	Seal, valve	152QMI-093-000	2	
14	垫片	Washer	152QMI-094-000	2	
15	气门外弹簧	Outer spring ,valve	152QMI-095-000	2	
16	气门内弹簧	Inner spring, valve	152QMI-096-000	2	
17	气门弹簧座	Spring seat, valve	152QMI-097-000	2	
18	气门锁块	Lock block, valve	152QMI-098-000	4	
19	火花塞	Spark plug	152QMI-099-000	1	
20	止动板组	Stopper plate group	152QMI-100-000	1	
21	调整螺母	Adjusting nut	152QMI-101-000	2	
22	调整螺丝	Adjustment screws	152QMI-102-000	2	
23	摇臂	Rocker	152QMI-103-000	2	
24	进气摇臂轴组	Intake rocker shaft group	152QMI-104-000	1	
25	凸轮轴总成	Camshaft assembly	152QMI-105-000	1	
26	排气摇臂轴	Exhaust rocker shaft	152QMI-106-000	1	

- 7 -

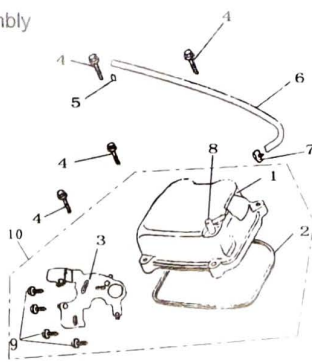
T-6 气缸头总成 Cylinder head assembly



NO.	CHINESE NAME	ENGLISH NAME	PART	QTY	REMARKS
27	排气门	Exhaust valve	157QMJ-011-000	1	
28	六角法兰面螺母M8	Hex flange nut M8	GB/T6177.1-M8-8.8	4	
29	垫圈8	Washer 8	152QMI-109-000	4	
30	凸轮轴座	Camshaft seat	152QMI-110-000	1	
31	双头螺栓M6×63	Stud M6X63	152QMI-111-000	2	
32	双头螺栓M6×32	Stud M6X32	152QMI-112-000	2	
33	气门摇臂	Rocker	152QMI-112-100	2	
34	凸轮轴座总成	Camshaft seat assembly	152QMI-110	1	
35	气缸头总成	Cylinder head assembly	157QMJ-008	1	

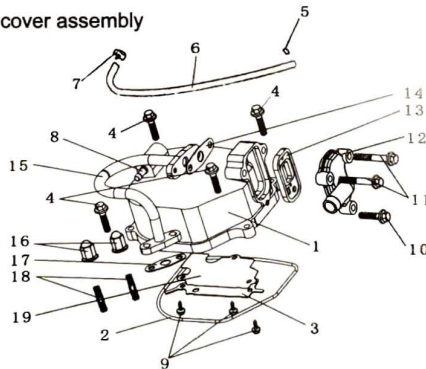
- 8 -

T-7 气缸头盖总成 Cylinder head cover assembly



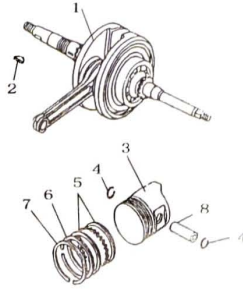
NO.	CHINESE NAME	ENGLISH NAME	PART	QTY	REMARKS
1	气缸头盖	Cylinder head cover	152QMI-113-000	1	
2	密封圈	Seals	152QMI-114-000	1	
3	盖片	Cover sheet	152QMI-115-000	1	
4	六角法兰面螺栓M6×25	Hex flange bolt M6×25	GB/T16674.1-M6×25-8.8	4	
5	管夹	Clip ,tube	152QMI-117-000	1	
6	通气管组	Breather pipe	152QMI-118-000	1	
7	管夹	clip,pipe	152QMI-119-000	1	
8	管接头组件	Pipe Connector assembly	152QMI-120-000	1	
9	十字槽盘头自攻螺钉ST4.2×8	cross self-tapping screw ST4.2×8	GB/T845-ST4.2×8	4	
10	气缸头盖总成	Cylinder head cover assembly	152QMI-113	1	

T-8 气缸头盖总成(缸头补气) Cylinder head cover assembly



NO.	CHINESE NAME	ENGLISH NAME	PART	QTY	REMARKS
1	气缸头盖	Cylinder head cover	152QMI-113-001	1	
2	密封圈	Gasket	152QMI-114-001	1	
3	盖片	Cover sheet	152QMI-115-001	1	
4	六角法兰面螺栓M6×25	Hex flange bolt M6×25	GB/T16674.1-M6×25-8.8	4	
5	管夹	Clip,tube	152QMI-117-000	1	
6	通气管组	Breather pipe	152QMI-118-000	1	
7	管夹	Clip,tube	152QMI-119-000	1	
8	管接头	Connector ,pipe	152QMI-120-001	1	
9	十字槽盘头自攻螺钉ST4.2×8	cross self-tapping screw ST4.2×8	GB/T845-ST4.2×8	3	
10	六角法兰面螺栓M6×25	Hex flange bolt M6×25	GB/T16674.1-M6×25-8.8	1	
11	六角法兰面螺栓M6×40	Hex flange bolt M6×40	GB/T16674.1-M6×40-8.8	2	
12	单向阀盖	One way valve cover	152QMI-121-000	1	
13	单向阀组件	One-way valve assembly	152QMI-121-100	1	
14	通气铁管垫片	Gasket,ventilation iron pipe	139QMB-039-000	1	
15	通气管组件	Breather pipe	152QMI-121-200	1	
16	短盖形螺母M6×12	Acorn nut M6×12	139QMB-042-000	2	
17	通气管垫片	Gasket breather pipe	139QMB-041-000	1	
18	双头螺栓GM6-M6×16	Stud GM6-M6X16	139QMB-023-000	2	
19	垫片	Gasket	152QMI-121-300	1	

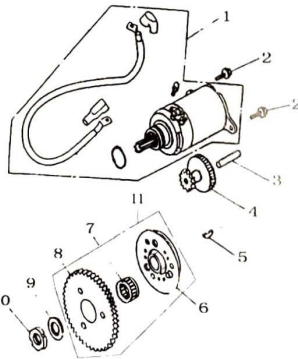
T-9 曲轴连杆组件、活塞组件 Crankshaft connecting rod assembly, piston assembly



NO.	CHINESE NAME	ENGLISH NAME	PART	QTY	REMARKS
1	曲轴连杆组件	Crankshaft connecting rod assembly	152QMI-122-000	1	
2	半圆键	Semicircle key	152QMI-123-000	1	
3	活塞	Piston	157QMJ-012-000	1	
4	活塞销卡簧	Piston pin circlip	152QMI-125-000	2	
5	油环组合(含刮片环)	Oil ring combinations (including blade ring)	157QMJ-013-000	1	
6	第二道气环	Second rings			
7	第一道气环	First ring			
8	活塞销	Piston pin	157QMJ-014-000	1	

- 11 -

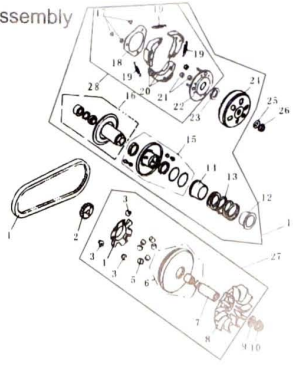
T-10 电起动部件 Electric starter parts



NO.	CHINESE NAME	ENGLISH NAME	PART	QTY	REMARKS
1	起动电机总成	Starter motor assembly	152QMI-130-000	1	
2	六角法兰面螺栓M6×16	Hex flange bolt M6×16	GB/T16674 1-M6×16-8.8	2	
3	齿轮轴	Gear shaft	152QMI-132-000	1	
4	过渡齿轮	The transmission gear	152QMI-133-000	1	
5	半圆键	Semicircle key	152QMI-123-000	1	
6	超越离合器组件	Overrunning clutch assembly	157QMJ-015-000	1	
7	滚针轴承	Needle bearing	152QMI-141-000	1	
8	从动齿轮组合	Driven gear combinations	157QMJ-016-000	1	
9	垫片	Washer	152QMI-144-000	1	
10	锁紧螺母SM22×1左	Locknut SM22X1 LEFT	152QMI-145-000	1	
11	起动超越离合器	Starter clutch	157QMJ-027-000	1	

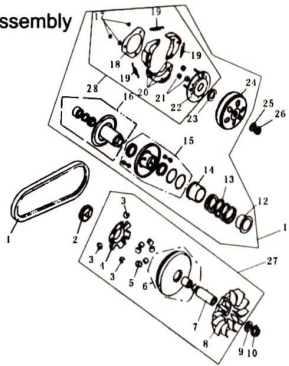
- 12 -

T-11 主、从动皮带轮总成 Main, driven pulley assembly



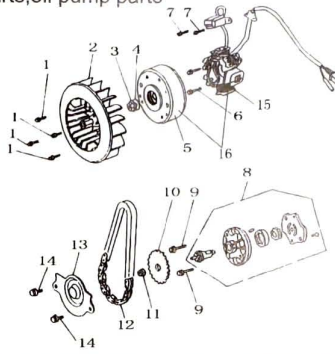
NO.	CHINESE NAME	ENGLISH NAME	PART	QTY	REMARKS
1	齿形三角皮带	Toothed V-belt	157QMJ-017-000	1	
	齿形三角皮带	Toothed V-belt	152QMI-147-000	1	
2	起动齿轮	Starting gear	152QMI-148-000	1	
3	琅块	Block	152QMI-149-000	3	
4	拖动法兰	Drag flange	152QMI-150-000	1	
5	离心滚柱	Centrifugal Roller	152QMI-151-000	6	
6	右主动轮组合	The right combination of driving wheel	152QMI-152-000	1	
7	衬套	Bush	152QMI-156-000	1	
8	驱动皮带扇叶盘	Disc blade,drive belt	152QMI-157-000	1	
9	垫圈12.3×29×2.5	Washer 12.3×29×2.5	152QMI-158-000	1	
10	螺母M12×1.25 H=10	Screw M12×1.25 H=10	152QMI-159-000	1	
11	从动皮带轮总成	Driven pulley assembly	152QMI-160-000	1	
12	弹簧座套	Spring seat cover	152QMI-161-000	1	
13	离合器压簧	Spring,clutch	152QMI-162-000	1	
14	油封套筒	Seal sleeve	152QMI-163-000	1	
15	左从动皮带轮	Driven pulley,Left	152QMI-164-000	1	
16	右从动皮带轮	Driven pulley ,Right	152QMI-165-000	1	
17	开口挡圈7	Opening ring 7	152QMI-166-000	3	
18	离合器边板	Side panels,Clutch	152QMI-167-000	1	
19	离心块拉簧	Tension spring,Centrifugal block	152QMI-168-000	3	
20	离合器蹄块	Clutch shoes	152QMI-169-000	3	

T-11 主、从动皮带轮总成 Main, driven pulley assembly



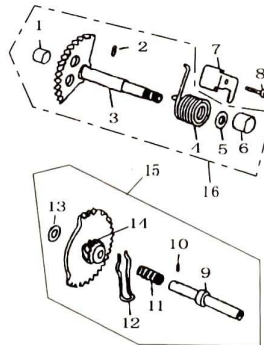
NO.	CHINESE NAME	ENGLISH NAME	PART	QTY	REMARKS
21	减震块	Damping block	152QMI-170-000	3	
22	驱动板组合	Driver board combination	152QMI-171-000	1	
23	螺母	Screw	152QMI-172-000	1	
24	离合器轮毂	Hub,clutch	152QMI-173-000	1	
25	垫圈12.3×29×2.5	Washer 12.3×29×2.5	152QMI-174-000	1	
26	螺母M12×1.25 H=8	Screw M12×1.25 H=8	152QMI-175-000	1	
27	主动皮带轮总成	Initiative Pulley assembly	152QMI-176-000	1	
28	离合器蹄块组件	Clutch shoe assembly	152QMI-169	1	

T-12 磁电机部件、机油泵部件 Magnetic motor parts,oil pump parts



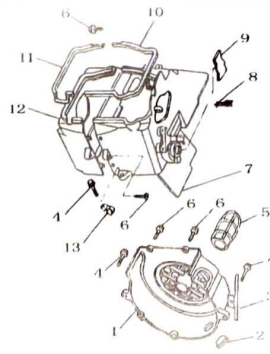
N0.	CHINESE NAME	ENGLISH NAME	PART	QTY	REMARKS
1	六角法兰面螺栓M6×18	Hex flange bolt M6×18	GB/T16674.1-M6×18-8.8	4	
2	风扇组合	Fan assembly	152QMI-178-000	1	
3	螺母M12×1.25 H=10	Screw M12×1.25 H=10	152QMI-159-000	1	
4	平垫12-14HV	Flat pad 12-14HV	152QMI-180-000	1	
5	飞轮（交流6级）	Flywheel (AC 6)	152QMI-181-001	1	
	飞轮（直流8级）	Flywheel (DC-8)	152QMI-181-002	1	
	飞轮（直流11级）	Flywheel (DC-11)	152QMI-181-003	1	
6	六角法兰面螺栓M6×20	Hex flange bolt M6×20	GB/T16674.1-M6×20-8.8	2	
7	六角头螺栓M5×12	Hex Bolts M5×12	GB/T5783-M5×12	2	
8	机油泵组合	Oil Pump Combination	152QMI-184-000	1	
9	六角法兰面螺栓M6×25	Hex flange bolt M6×25	GB/T16674.1-M6×25-8.8	2	
10	油泵链轮	Sprocket,oil pump	152QMI-186-000	1	
11	螺母M6	Screw M6	152QMI-087-000	1	
12	油泵链条	Chain,oil pump	152QMI-188-000	1	
13	链轮端盖	Sprocket cover	152QMI-189-000	1	
14	六角法兰面螺栓M6×12	Hex flange bolt M6×12	GB/T16674.1-M6×12-8.8	2	
15	定子组件（交流6级）	Stator assembly (AC six)	152QMI-191-001	1	
	定子组件（直流8级）	Stator assembly (DC-8)	152QMI-191-002	1	
	定子组件（直流11级）	Stator assembly (DC 11)	152QMI-191-003	1	
16	磁电机总成（交流6级）	Magneto assembly (AC 6)	152QMI-192-001	1	
	磁电机总成（直流8级）	Magneto assembly (DC 8)	152QMI-192-002	1	
	磁电机总成（直流11级）	Magneto assembly (DC 11)	152QMI-192-003	1	

T-13 脚起动机机构总成 Kick-start assembly



N0.	CHINESE NAME	ENGLISH NAME	PART	QTY	REMARKS
1	衬套（Ⅱ）	Bush（Ⅱ）	152QMI-193-000	1	
2	销	Pin	152QMI-194-000	1	
3	起动机轴组合	Starter shaft combination	152QMI-195-000	1	
4	扭簧	Torsion	152QMI-196-000	1	
5	垫片	Washer	152QMI-197-000	1	
6	衬套（Ⅰ）	Bush(I)	152QMI-198-000	1	
7	起动机扭簧压片	tablet,Starting torsion	152QMI-199-000	1	
8	六角法兰面螺栓M6×14	Hex flange bolt M6×14	GB/T16674.1-M6×14-8.8	1	
9	惰轮轴	Idler shaft	152QMI-201-000	1	
10	圆柱销A3×8	Cylindrical pin A3×8	152QMI-202-000	1	
11	压簧	Spring	152QMI-203-000	1	
12	叉簧	Hookswitch	152QMI-204-000	1	
13	调整垫片	Adjusting washer	152QMI-206-000	1	
14	斜齿轮	Helical gear	152QMI-207-000	1	
15	惰轮组	Idler group	152QMI-208-000	1	
16	起动机轴总成	Starting shaft assembly	152QMI-208-100	1	

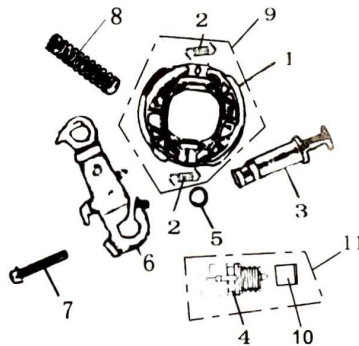
T-14 导风罩分总成 Wind guide cover sub-assembly



NO.	CHINESE NAME	ENGLISH NAME	PART	QTY	REMARKS
1	风扇盖	Fan cover	152QMI-209-000	1	
2	窗口堵盖	Window Cover	152QMI-210-000	2	
3	电缆线夹	Cable Clamps	152QMI-211-000	1	
4	螺栓M6×25	Bolt M6X25	152QMI-185-000	1	
5	冷却导管	Cooling ducts	152QMI-213-000	1	
6	十字槽中扁头自攻螺钉ST4.8×16	Cross self-tapping screw ST4.8×16	GB/T845-ST4.8×16	1	
7	上导风罩组件	Upper wind shield assembly	152QMI-215-000	1	
8	高压线夹	Clip,high tension cord	152QMI-216-000	1	
9	橡胶盖	Rubber cover	152QMI-217-000	1	
10	上密封胶垫	Upper Sealing Gasket	152QMI-218-000	1	
11	下密封胶垫	Down Sealing Gasket	152QMI-219-000	1	
12	下导风罩组合	Below wind guide cover combination	152QMI-220-000	1	
	下导风罩组合(缸头补气)	Under the wind shield combination (Cylinder head Secondary intake)	152QMI-220-000	1	
13	溢流管夹	Clip,overflow pipe	152QMI-221-000	1	

- 17 -

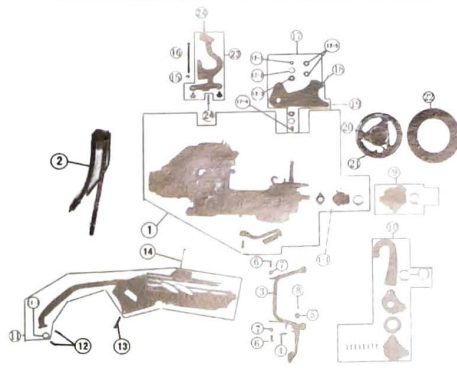
T-15 后制动分总成 Rear brake subassembly



NO.	CHINESE NAME	ENGLISH NAME	PART	QTY	REMARKS
1	制动蹄组	Brake shoe set	157QMJ-018-000	2	
2	回位弹簧	Spring	157QMJ-019-000	2	
3	后制动凸轮轴	Rear brake camshaft	152QMI-224-000	1	
4	后制动摇臂护盖	Cover,rear brake rocker	152QMI-225-000	1	
5	O形圈11.3×1.3	O ring 11.3×1.3	152QMI-226-000	1	
6	后制动摇臂	Rear brake arm	152QMI-227-000	1	
7	六角法兰面螺栓M6×32	Hex flange bolt M6×32	GB/T16674.1-M6×32-8.8	1	
8	刹车弹簧	Spring,Brake	152QMI-279-000	1	
9	制动蹄总成	Brake shoe assembly	157QMJ-018-100	1	
10	护盖定位板	Cover positioning plate	152QMI-280-100	1	
11	刹车护盖及冲件	Brake cover and stamping	152QMI-280-200	1	

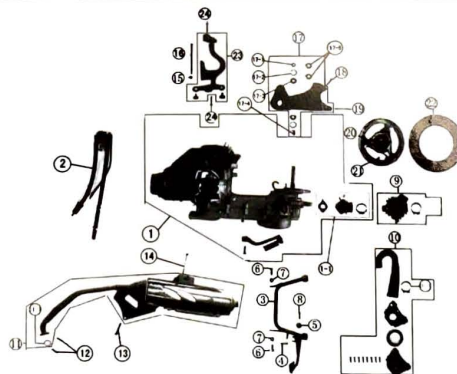
- 18 -

T-16 动力系统组件Engine Assy



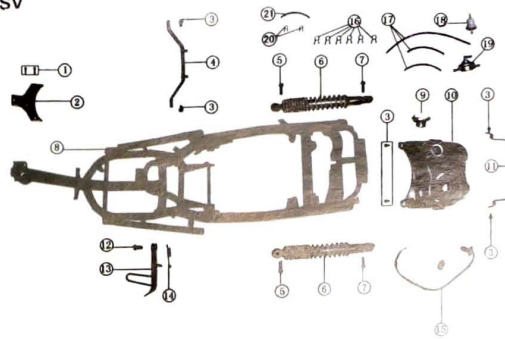
N0.	CHINESE NAME	ENGLISH NAME	PART	QTY	REMARKS
1	发动机总成	Engine assy	TK-11200-3	1	
1-1	进气管	Intake manifold assembly	TK-13500	1	
2	二次补气阀	Secondary air valve	TK-A13300	1	
3	双撑	Main stand	TK808-25200	1	
4	双撑弹簧	Spring main stand	TB-25201	1	
5	双撑缓冲块	Cushion rubber,Main stand	φ 7 × φ 30 × 14(铁芯)	1	
6	六角法兰面螺栓M10×25	Hex flange bolt M10×25	GB/T16674.1-M10×25-8.8	2	
7	大垫圈 φ 11 × φ 30 × 2.5	Washer φ 11 × φ 30 × 2.5	GB/T96.2-φ 11 × φ 30 × 2.5 (M10)	2	
8	六角法兰面螺栓M6×12	Hex flange bolt M6×12	GB/T16674.1-M6×12-8.8	1	
9	化油器	Carburetor	TK-A13100	1	PD24J
10	空滤器	Air filter	TK808-A13200	1	
10-1	空滤器卡箍	Empty filter hoop	TB-13201	1	
11	消声器	Muffler	TK808-A14110	1	
11-1	密封垫	Gasket	TB-14205	1	
12	盖形螺母M6×30	Acorn nutM6×30	GB/T923-M6×32	2	
13	六角法兰面螺栓M8×30	Hex flange bolt M8×30	GB/T16674.1-M8×30-8.8	1	
14	六角法兰面螺栓M8×125	Hex flange bolt M8×125	GB/T16674.1-M8×125-8.8	1	
15	六角法兰面锁紧螺母M10	Hex flange locking nut M10	GB/T6187.2-M10-8.8	1	
16	动力吊架轴M10×185	swing arm bolt M10×185	GB/T16674.2-M10×185-8.8	1	
17	发动机联板	Engine ai plate	TK808-21210	1	
17-1	六角法兰面锁紧螺母M16	Hex flange locking nut M16	GB/T6187.2-M16-8.8	1	

T-16 动力系统组件Engine Assy



N0.	CHINESE NAME	ENGLISH NAME	PART	QTY	REMARKS
17-2	内卡簧	Internal circlip	TK-21211	2	
17-3	油封	Oil seal	TK-21213	2	
17-4	衬管	Spacer	TK-21212	1	
17-5	轴承6303	RS Bearing 6303 RS	GB/T276-6303	2	
18	六角法兰面螺栓M8×45	Hex flange bolt M8×45	GB/T16674.1-M8×45-8.8	1	
19	六角法兰面螺栓M8×60	Hex flange bolt M8×60	GB/T16674.1-M8×60-8.8	1	
20	后铝轮毂	Rear rim	TK808-A142120	1	3.50×13
21	气门嘴	Inflating valve	TB-42301	1	
22	后真空轮胎	Rear tyre	TK-A42310	1	130/60-13
23	动力吊架	Swing arm bolt M10×185	TK808-21220	1	
24	六角法兰面螺栓M10×55	Hex flange bolt M10×55	GB/T16674.1-M10×55-8.8	2	

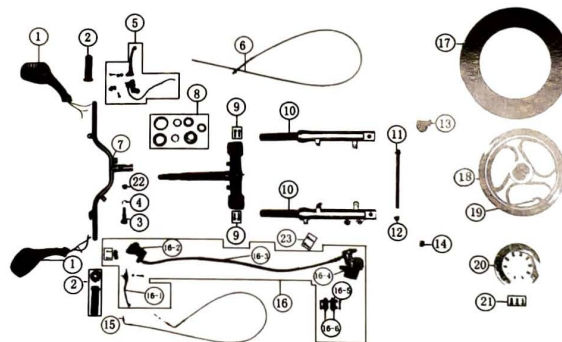
T-17 车架及铁件组件 Frame Assv



NO.	CHINESE NAME	ENGLISH NAME	PART	QTY	REMARKS
1	六角法兰面螺栓	Hex flange bolt	GB/T5783-M8×12-8.8	2	
2	喇叭支架	Horn holder	TK808-24204	1	
3	六角法兰面螺栓	Hex flange bolt	GB/T16674.1-M6×16-8.8	6	
4	杂物箱安装支架	Sundires box bracket	TK808-24107	1	
5	六角法兰面螺栓	Hex flange bolt	GB/T16674.1-M10×45-8.8	2	
6	后左右减震器	Rear L./R. shock absorber	TK808-41300	2	325mm φ7mm
7	六角法兰面螺栓	Hex flange bolt	GB/T16674.1-M8×32-8.8	2	
8	车架	Frame	TK808-21100	1	
9	油箱盖	Fuel tank cap	TB-A12120	1	
10	油箱	Fuel tank cap	TK808-A12110	1	
11	油箱支架	Bracket,fuel tank	TK808-24203	1	
12	单撑螺栓	Bolt, side stand	"F7-φ12×12-M10×25-4.8	1	
13	单撑	Side stand	TK808-25100	1	
14	单撑弹簧	spring, side stand	TB-25101	1	
15	油量传感器	Fuel sensor	TK808-54200	1	
16	油管卡簧 Φ8.5×1	Clamp,fuel line Φ8.5×1	TB-12206	6	
17	EPA油管	EPA fuel line	TB-12204	0.8	
18	过滤器	Fuel filter	TB-12211	1	
19	油开关	Fuel cock	TB-12130	1	
20	油管卡簧 Φ7.5×1	Clamp fuel line Φ7.5×1	TB-12205	2	
21	普通油管 Φ3.5×Φ7.5	Pipe fuelΦ3.5×Φ7.5	TB-12204	0.3	

- 21 -

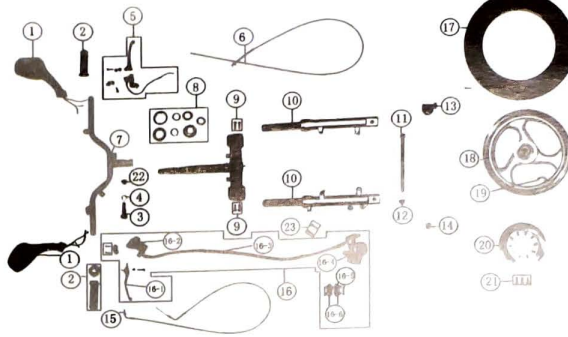
T-18 前悬挂组件Turning Assy



NO.	CHINESE NAME	ENGLISH NAME	PART	QTY	REMARKS
1	后视镜	Rearview mirror	TK808-A81400	1	
2	左右把套	L./R. throttle grip	TK808-26201	1	L=130mm
3	六角法兰面螺栓	Hex flange bolt	GB/T16674.2-M10×45-8.8	1	
4	月牙型衬套	Spacer	F9-φ10×φ20.5×12.5	1	
5	左刹车手柄	Left brake assy.	TK808-32307	1	
6	后刹线	Rear brake cable	TK808-32401	1	L=1880mm+73mm T=55mm
7	方向把	Handle bar	TK808-26100	1	
8	钢碗	Steering bearing set	TK808-26410	1	
9	六角法兰面螺栓	Hex flange bolt	GB/T16674.1-M8×45-8.8	4	7Pie L=435mm φ30mm
10	前左右减震器	Front L./R. shock absorber	TK808-41100	1	
11	前轮轴	Axle,front	GB/T16674.2-M12×250-8.8	1	
12	六角法兰面锁紧螺母M12	Hex flange locking nut M12	GB/T6187.2-M12-8.8	1	
13	里程计数器	Counter	TK808-42200	1	
14	前轮轴衬套	Spacer	F6-φ13×φ20×27	1	L=1850mm T=110mm
15	油门线	Throttle cable	TK808-31101	1	Chrome plated
16	前碟刹	Front brake	TK808-A32100	1	
16-1	右刹车手柄	Right brake lever	TB-32109	1	L=910mm
16-2	前碟刹上泵	Pump upper	TB-32104	1	Double cylinder
16-3	油管	Oil tube	TB805-32107	1	
16-4	前碟刹下泵	Pump down	TB804-32105	1	
16-5	摩擦片	Pad	TB-32112-1	1	

- 22 -

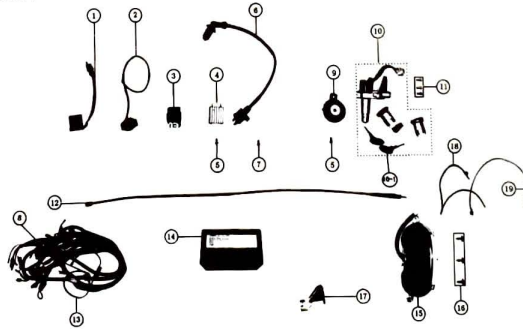
T-18 前悬挂组件Turning Assy



N0.	CHINESE NAME	ENGLISH NAME	PART	QTY	REMARKS
17	前后真空轮胎	L.R.Tire	TK-A42310	1	130/60-13
18	前铝轮毂	Front rim	TK808-A42110	1	3.50×13
19	气门嘴	Inflating valve	TB-42301	1	
20	前碟刹盘	Front brake disc	TK808-32101	1	φ220mm H=4mm
21	内六角平圆头螺钉	Hex socket step bolt	GB/T70.2-M8×25	3	
22	六角头螺母	Hex nut	GB/T6170-M10-6.8	1	
23	六角法兰面螺栓M8×30	Hex Flange Bolt M8×30	GB/T16674.1-M8×30-8.8	2	

- 23 -

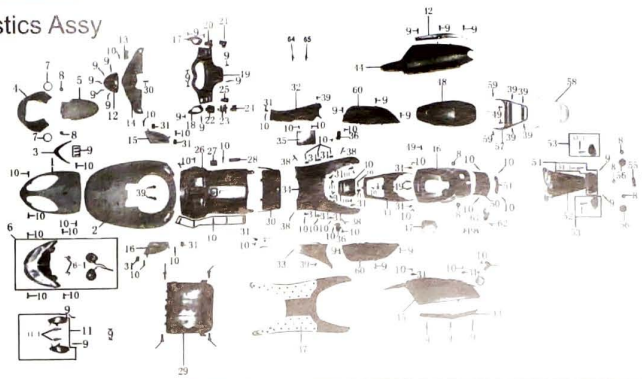
T-19 电器组件Electric Device Assv



N0.	CHINESE NAME	ENGLISH NAME	PART	QTY	REMARKS
1	闪光器	Flasher	TB-53500	1	
2	启动继电器	Relay	TB-53400	1	
3	点火器C.D.I	CDI	TB-A53200	1	
4	调压整流器	Rectifier	TB-53300	1	
5	六角法兰面螺栓M6×12	Hex flange bolt M6×12	GB/T16674.1-M6×12-8.8	2	
6	高压包	Coil	TB-A53100	1	
7	十字槽盘头螺钉 M6×20	cross recessed pan head screw M6×20	GB/T818-M6×20	1	
8	副电缆组件	wire harness,assistant	TK808-51200	1	
9	喇叭	Horn	TB-62300	1	12V 450Hz
10	套锁	Lock set	TK808-33000	1	3
11	六角法兰面螺栓M6×16	Hex flange bolt M6×16	GB/T16674.1-M6×16-8.8	3	
12	里程线	Cable,speedometer	TK808-54300	1	L=970mmT=20mm
13	主电缆组件	Wire harness,main	TK808-51100	1	
14	蓄电池	Battery	TK-52130	1	12V7Ah
15	仪表	Meter assy	TK808-54100	1	80Km
16	十字槽盘头自攻螺钉ST4.2×16	Cross recessed pan head self-tapping screw ST4.2×16	GB/T845-ST4.2×16	3	
17	座垫锁座支架	Seat bracket	TK808-24208	1	
18	正极线	Positive wire	TK808-51300	1	L=700mm H=4
19	负极线	Negative wire	TK808-51400	1	L1=200mm L2=400mm

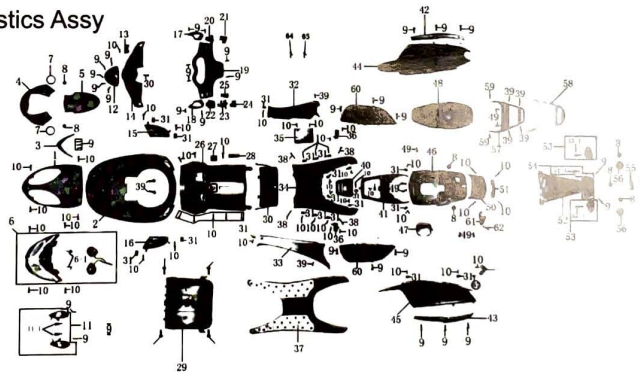
- 24 -

T-20(2) 外观件组件Working Of Plastics Assy



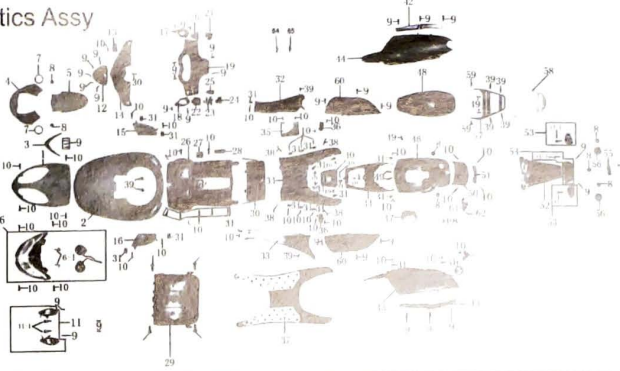
NO.	CHINESE NAME	ENGLISH NAME	PART	QTY	REMARKS
1	前面板	Front panel	TK808A-71301-B1	1	
2	前护条	Front Protecting bar	TK808A-71303-B1	1	
3	前面板装饰块	Front panel decorative	TK808A-71302-B1	1	
4	前泥板前部	Front fender,front half	TK808-71202-B1	1	
5	前泥板后部	Front fender,rear half	TK808A-71203-B1	1	
6	前大灯	Head light	TK808A-A61100	1	
6-1	灯泡	Bulb	TK808A-61101	1	18W 12V
7	前侧反射器	Reflector,front,side	TB-A62601	1	
8	六角法兰面螺母M6	Hex flange nut M6	GB/T6170-M6-6.8	8	
9	十字槽中扁头自攻螺钉	Cross Self-tapping screw 4.2×13	GB/T845-ST4.2×13	40	
10	十字槽中扁头自攻螺钉	Cross self-tapping screw4.8×16	GB/T845-ST4.8×16	14	
11	前左右转向灯	Front L./R. turn signal	TK808A-A62110	1	
11-1	灯泡	Bulb	TB-62113	2	R10W 12V
12	挡风玻璃	Decorative cover, helmet sheet	TK808A-71107-B1	1	
13	碟刹观察盖	Right master cylinder cover	TK808A-71103-B1	1	
14	仪表前罩	Helmet sheet	TK808A-71102-B1	1	
15	前左通风板	Ventilation Board, Front, Left	TK808A-71313-B1	1	
16	前右通风板	Ventilation Board, Front, Right	TK808A-71312-B1	1	
17	手把管左护盖	Left handle decorative cover	TK808A-71111-B1	1	
18	手把管右护盖	Right handle decorative cover	TK808A-71112-B1	1	
19	仪表壳	Speedometer cover	TK808-71101	1	
20	熄火开关	Switch flameout	TK808-61420	1	
21	电启动开关	Switch start	TK808-61410	1	
22	远近光开关	Switch changing light	TK808-61310	1	

T-20(2) 外观件组件Working Of Plastics Assy



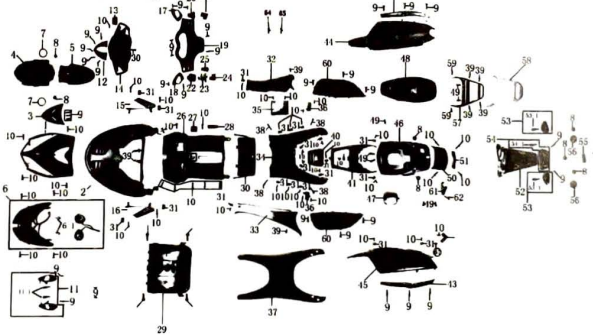
NO.	CHINESE NAME	ENGLISH NAME	PART	QTY	REMARKS
23	转向灯开关	Switch turning light	TK808-61320	1	
24	喇叭开关	Switch horn	TK808-61330	1	
25	警示灯开关	Hazard switch	TK808-61430	1	
26	前置物箱	Front box	TK808-71305	1	
27	安全帽挂钩	Helmet hanger	TK808-71308	1	
28	车架号码盖	Observe cover,Vin	TK808-71307	1	
29	车架底板	Bottom cover	TK808-71404	1	
30	前置物箱盖	Front box cover	TK808-71306	1	
31	自攻螺母夹片	Self-tapping clip with nut	F1-ST4.2-00	20	
32	右护条	Right protecting bar	TK808-71406-B1	1	
33	左护条	L.Protecting bar	TK808-71405-B1	1	
34	脚踏板	Footrest	TK808-71401	1	
35	电瓶盖	Battery cover	TK808-71402	1	
36	左右脚踏块	L./R. footrest	TK808-71411	1	
37	脚踏皮	Footrest pad	TK808-71407	1	
38	六角法兰面螺栓	Hex flange bolt	GB/T16674.1-M6×25-8.8	4	
39	六角法兰面螺栓M6×16	Hex flange bolt M6×16	GB/T16674.1-M6×16-8.8	13	
40	发动机保养盖	Center protect sheet cover	TK808-71504	1	
41	杂物箱前罩	Center protect sheet cover	TK808-71503	1	
42	后右小边条	Rear right decorative bar	TK808-71514-B1	1	
43	后左小边条	Rear left decorative bar	TK808-71513-B1	1	
44	后右装饰板	Rear right boarding	TK808-71516-B1	1	
45	后左装饰板	Rear left boarding	TK808-71515-B1	1	
46	杂物箱	Sundries box	TK808-71501	1	

T-20(2) 外观件组件Working Of Plastics Assy



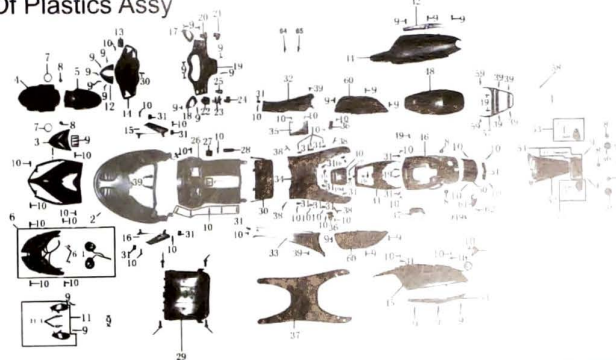
NO.	CHINESE NAME	ENGLISH NAME	PART	QTY	REMARKS
47	杂物箱内盖	Observe cover, carburetor	TK808-71502	1	
48	座垫	Seat	TK808-72100	1	
49	六角法兰面螺栓M6×12	Hex flange bolt M6×12	GB/T16674.1-M6×12-8.8	10	
50	后装饰板	RR.Decorative sheet	TK808-71519-B1	1	
51	后护条	Rear protecting bar	TK808-71523-B1	1	
52	后泥板	Backward fender	TK808-71601	1	
53	后左右转向灯	Rear L./R. turn signal	TK808-62120	1	
53-1	灯泡	Bulb	TB-62113	2	R10W 12V
54	后尾灯	Tail light	TK808-A61200	1	
54-1	灯泡	Bulb	TB-61202	1	P21/5W 12V
55	后反射器	RR.Reflector	TB-A62603	1	
56	后侧反射器	Reflector,side,rear	TB-A62602	2	
57	铁后货架	Rear carrier	TK808-22100	1	
58	后货架孔盖	Rear carrier cover	TK808-71524-B1	1	
59	六角法兰面螺栓M8×12	Hex flange bolt M8×12	GB/T16674.1-M8×12-8.8	2	
60	后左右装饰板通风口盖	Ventilation Board, Rear,L./R.	TK808-71511	1	
61	后泥板支架	Holder, rear fender	TK808-54106	1	
62	六角法兰面螺栓M8×30	Hex flange bolt M8×30	GB/T16674.1-M8×30-8.8	1	
63	十字槽中扁头自攻螺钉	Cross Self-tapping screw 4.2×16	GB/T845-ST4.2×13	11	
64	十字槽中扁头自攻螺钉	Cross self-tapping screw4.8×13	GB/T845-ST4.8×16	6	

T-20(4) 外观件组件Working Of Plastics Assy



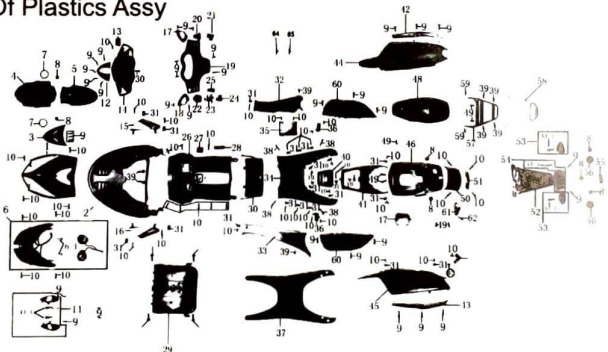
NO.	CHINESE NAME	ENGLISH NAME	PART	QTY	REMARKS
1	前面板	Front panel	TK808C-71301-B1	1	
2	前护条	Front Protecting bar	TK808C-71303-B1	1	
3	前面板装饰块	Front panel decorative	TK808C-71302-B1	1	
4	前泥板前部	Front fender,front half	TK808C-71202-B1	1	
5	前泥板后部	Front fender,rear half	TK808C-71203-B1	1	
6	前大灯	Head light	TK808C-A61100	1	
6-1	灯泡	Bulb	TK-61101	1	18W 12V
7	前侧反射器	Reflector,front,side	TB-A62601	1	
8	六角法兰面螺母M6	Hex flange nut M6	GB/T6170-M6-6.8	8	
9	十字槽中扁头自攻螺钉	Cross Self-tapping screw 4.2×13	GB/T845-ST4.2×13	40	
10	十字槽中扁头自攻螺钉	Cross self-tapping screw4.8×16	GB/T845-ST4.8×16	14	
11	前左右转向灯	Front L./R. turn signal	TK808C-A62110	1	
11-1	灯泡	Bulb	TB-62113	2	R10W 12V
12	挡风玻璃	Decorative cover, helmet sheet	TK808C-71107-B1	1	
13	碟刹观察盖	Right master cylinder cover	TK808C-71103-B1	1	
14	仪表前罩	Helmet sheet	TK808C-71102-B1	1	
15	前左通风板	Ventilation Board, Front, Left	TK808C-71312-B1	1	
16	前右通风板	Ventilation Board, Front, Right	TK808C-71313-B1	1	
17	手把管左护盖	Left handle decorative cover	TK808C-71312-B1	1	
18	手把管右护盖	Right handle decorative cover	TK808C-71111-B1	1	
19	仪表壳	Right handle decorative cover	TK808C-71112-B1	1	
20	熄火开关	Speedometer cover	TK808-71101	1	
21	电启动开关	Switch flameout	TK808-61420	1	
22	远近光开关	Switch start	TK808-61410	1	
		Switch changing light	TK808-61310	1	

T-20(4) 外观件组件Working Of Plastics Assy



NO.	CHINESE NAME	ENGLISH NAME	PART	QTY	REMARKS
23	转向灯开关	Switch turning light	TK808-61320	1	
24	喇叭开关	Switch horn	TK808-61330	1	
25	警示灯开关	Hazard switch	TK808-61430	1	
26	前置物箱	Front box	TK808-71305	1	
27	安全帽挂钩	Helmet hanger	TK808-71308	1	
28	车架号码盖	Observe cover,Vin	TK808-71307	1	
29	车架底板	Bottom cover	TK808-71404	1	
30	前置物箱盖	Front box cover	TK808-71306	1	
31	自攻螺母夹片	Self-tapping clip with nut	F1-ST4.2-00	20	
32	右护条	Right protecting bar	TK808-71406-B1	1	
33	左护条	L.Protecting bar	TK808-71405-B1	1	
34	脚踏板	Footrest	TK808-71401	1	
35	电瓶盖	Battery cover	TK808-71402	1	
36	左右脚踏块	L./R. footrest	TK808-71411	1	
37	脚踏皮	Footrest pad	TK808-71407	1	
38	六角法兰面螺栓	Hex flange bolt	GB/T16674.1-M6×25-8.8	4	
39	六角法兰面螺栓M6×16	Hex flange bolt M6×16	GB/T16674.1-M6×16-8.8	13	
40	发动机保养盖	Center protect sheet cover	TK808-71504	1	
41	杂物箱前罩	Center protect sheet cover	TK808-71503	1	
42	后右小边条	Rear right decorative bar	TK808-71514-B1	1	
43	后左小边条	Rear left decorative bar	TK808-71513-B1	1	
44	后右装饰板	Rear right boarding	TK808-71516-B1	1	
45	后左装饰板	Rear left boarding	TK808-71515-B1	1	
46	杂物箱	Sundries box	TK808-71501	1	

T-20(4) 外观件组件Working Of Plastics Assy



NO.	CHINESE NAME	ENGLISH NAME	PART	QTY	REMARKS
47	杂物箱内盖	Observe cover, carburetor	TK808-71502	1	
48	座垫	Seat	TK808-72100	1	
49	六角法兰面螺栓M6×12	Hex flange bolt M6×12	GB/T16674.1-M6×12-8.8	10	
50	后装饰板	RR.Decorative sheet	TK808-71519-B1	1	
51	后护条	Rear protecting bar	TK808-71523-B1	1	
52	后泥板	Backward fender	TK808-71601	1	
53	后左右转向灯	Rear L./R. turn signal	TK808-62120	1	
53-1	灯泡	Bulb	TB-62113	2	R10W 12V
54	后尾灯	Tail light	TK808-A61200	1	
54-1	灯泡	Bulb	TB-61202	1	P21/5W 12V
55	后反射器	RR.Reflector	TB-A62603	1	
56	后侧反射器	Reflector,side,rear	TB-A62602	2	
57	铁后货架	Rear carrier	TK808-22100	1	
58	后货架孔盖	Rear carrier cover	TK808-71524-B1	1	
59	六角法兰面螺栓M8×12	Hex flange bolt M8×12	GB/T16674.1-M8×12-8.8	2	
60	后左右装饰板通风口盖	Ventilation Board, Rear,L./R.	TK808-71511	1	
61	后泥板支架	Holder, rear fender	TK808-54106	1	
62	六角法兰面螺栓M8×30	Hex flange bolt M8×30	GB/T16674.1-M8×30-8.8	1	
63	十字槽中扁头自攻螺钉	Cross Self-tapping screw 4.2×16	GB/T845-ST4.2×13	11	
64	十字槽中扁头自攻螺钉	Cross self-tapping screw4.8×13	GB/T845-ST4.8×16	6	